

# Wahl KM-2



**Manufacturer:** Wahl/Moser  
**Model:** Moser Max45 (KM-2)  
**Type:** Mains 240V Two Speed

## DO NOT

Attempt to work on the machine with it connected to the main power supply.  
Attempt to clip a wet or perspiring animal.

Touch the blades when moving!  
Switch the machine on with loose or missing blades.

(In the interests of safety ensure that both blades are tightly seated.)

Use if the voltage at your site is different to that on the clipper rating plate.

Attempt to assemble the blades or any part of the clipper over straw, shavings or other materials. Only carry out such tasks on a specified area i.e. table or work bench otherwise essential parts may be lost.

Immerse either the machine or cutter head in liquid (oil/diesel/lubricant) of any kind

Use the appliance if it has a damaged cable or plug, if it is not working properly, or has been dropped or in any way damaged. Arrange for it to be checked by a qualified engineer and repaired as necessary.

Use the appliance with either a damaged comb attachment or broken blade as injury may occur.

**WAHL/MOSER max45**  
two-speed clipper



## IMPORTANT!

Do not leave the clipper near animals or in a damp situation.

Do not allow to come in contact with water. The clipper is not splash proof!

## CLIPPER INFORMATION:

The Clipper is insulated and radio interference-suppressed and conforms to CE regulations.

Do not attempt to operate this machine without first oiling the blades.

Do not use WD 40 or other similar solvents/scouring agents to clean the clipper or the blades.

Do not attempt to sharpen the blades.

This clipper operates at two speeds, which can be changed via the switch.

Standard speed (1) at 2400rpm.

The fast speed (2) at 3000rpm

A wide range of "snap-on" blades can be fitted to this clipper, including those made by Wahl as well as the Oster range and others similar "snap-on" type blades. The "snap-on" type blades should not be taken apart other than for sharpening purposes.

Blades need to be regularly sharpened to keep a good cutting edge, and they must be constantly oiled during use.

## Removing the blades: Fig 2

Before removing the blade head ensure the appliance is switched off and disconnected from any power supply.

Hold the machine firmly in your hand (right or left) with the maker's name facing you. Now rotate the body casing 180 degrees until you are viewing the underside of the clipper (You should be able to read the maker's name! WAHL + made in Germany & CE rating).

Immediately before the blade (comb) you will see a "grey" sliding lever with two "arrow heads" shaped on it. With your thumb push this forward and hold pressed inwards. With your other hand place your thumb on the rear edge of the comb and your two index on the front teeth. Now pivot the blade in an upward and backward angle until it clicks in position. You can now slide the blade off the blade "tongue"



The blade should now be fully released from the clipper.  
(This is best practised a few times over something soft such as a cushion rather than a concrete floor!)

### Fitting the blades: Fig 3.

Before fitting the blade head ensure the appliance is switched off and disconnected from any power supply.

Hold the machine firmly in your hand (right or left) with the body casing facing you (You should be able to read the maker's name! WAHL-line-KM-2-power plus Take the blade set in your other hand and seat it upon the blade latch tongue, which will slide between the comb blade plate and the tension spring assembly.

NOTE & See Fig 4. If the blade latch tongue has for some reason snapped shut against the latch assembly you will not be able to fit the blade.

All you need to do to rectify this is to insert a flat object (thin screwdriver – or the best quality kitchen knife!) between the two and gently twist round to force up and open again.

With the blade seated upon the tongue and holding it in place with your finger rotate the clipper until you are facing it the right way up (You should once again be able to read the maker's name! WAHL-line-KM-2.)

Now pressing the upper portion of the blade towards the clipper body - it should "snap" shut.

Rotate the machine 180 degrees and check the blade is right home to the clipper casing - a gap of about 1-1½ mm is normal

The blade is now fitted!

In some cases especially with new blades/machines, the blade requires a further degree of pressure to make sure it is right home to the casing This soon ceases once the blades have been used a few times.

However before you rush to switch on .....

Oil the blades before commencing a test run with the clipper

(When operating for the first time after changing blades the machine should be pointed away from you and/or any animal before switching on to test)

Now test the clipper.



### Tensioning the blades:

One of the joys of the "snap-on" blade is that there is no tensioning to be carried out!

### Oiling:

Oiling of the blades should be carried out at regular intervals during the clipping application. Apply a small quantity of oil on the ends of the blades whilst the trimmer is running

Only Wahl Clipper oil or light machine oil (good quality) should be used.

### Attachment Combs:

Are not supplied with the trimmer but can be obtained in various sizes. Their purpose is to allow a specific depth of hair to be left on the body irrespective of the angle you may clip. They are easily attached by clipping over the blade from front to back.

### Routine Maintenance:

Is important and should be carried out regularly. Do not conducted maintenance tasks over straw, shavings, or other types of bedding. Preferably use a flat table surface or work bench, otherwise you can risk small parts becoming lost in the process.

## **Cleaning:**

Cleaning of the blades and inside of the clipper head should be thoroughly carried out after every clipping session to avoid a build up of hair and dirt.

Remove all traces of oil and hair with a small stiff brush and wiped clean with a dry clean cloth. The use of an airline is ideal - if available. Failing that, use a small oil paint brush – the stubby type – This will enable you to remove most of the muck, after which, a good “blow” will usually do the rest! Try to avoid a build up of dirt and hair – it makes cleaning easier!

When completely free from hair clippings and oil, re oil all working parts within the head and likewise to the blades to prevent any occurrence of rust.

Remember even the smallest spots of rust can have an adverse effect on the cutting performance of the blades - in some cases making clipping impossible.

## **Air Filters:**

Cleaning of the air filter is very important and should be done at least once a week, and daily in the case of a well used machine such as one used in a dog grooming parlour situation. The air filter protects against hair, dust, dirt, and other foreign materials from entering the motor and causing a lack of cooling air. Blocked or partially clogged air filters affect the performance of the machine.

Remove the air filter using your thumbnail in the grooved slot. Carefully clean both sides using either the stiff brush provided. (If lost use a stiff tooth brush or a suede shoe cleaning brush with soft wire bristles) Very dirty and greasy air filters can be washed in a mild detergent, but be sure to dry completely before refitting.

DO NOT use the clipper with the air filter not in place!

## **Professional Servicing & Repairs**

Should only be undertaken by qualified engineers appointed by the Manufacturer or his distributor.

Regular servicing is necessary in accordance with the amount of use of the machine to protect it against malfunction and to ensure it is kept in a high state of operational effectiveness. Machine should be serviced well before anticipated use.

## **Storage:**

When not in use, having been thoroughly cleaned and oiled, the machine should be stored in a dry place. Do not leave in tack rooms, stables, damp grooming parlours, cowsheds and dairy parlours or similar places

The same should apply to all blades. Keep oiled and dry at all times.



---

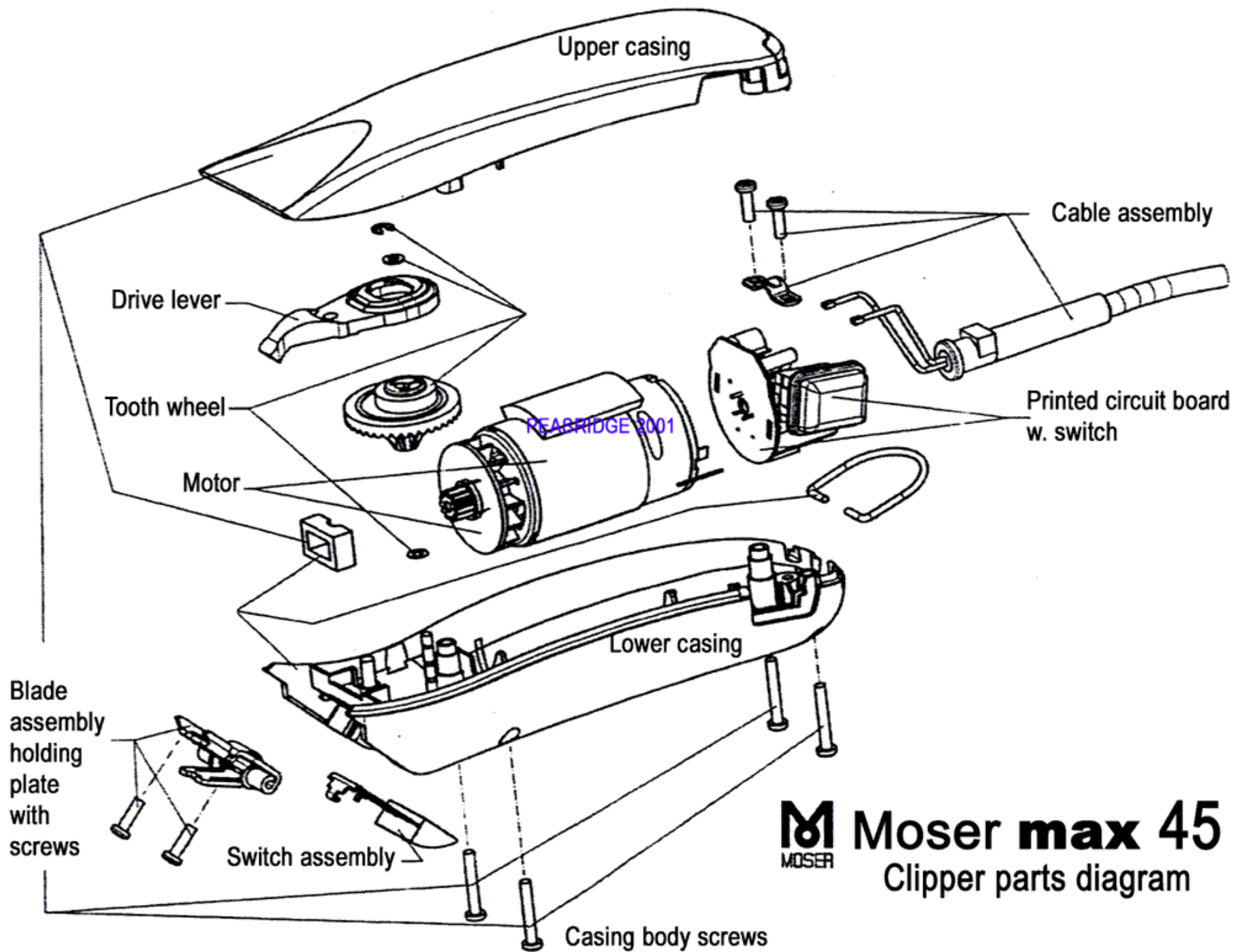
**Provet NSW (02) 9899 5022 Provet VMS (02) 4955 4488 Provet Riverina (02) 6921 4799**

**Provet QLD (07) 3267 7999 Provet North QLD (07) 4725 6722 Provet Allhank (03) 9690 1388**

**Provet NZ 0011 64 9 920 4440**

---

[www.provet.net.au](http://www.provet.net.au)



**M Moser max 45**  
 MOSER  
 Clipper parts diagram